

## MD200 AC Drive Open Loop General Purpose & Economic

### Features & Functions

- Open loop V/F & SVC<sup>\*1</sup>
- Starting torque 150% at 3Hz in SVC mode
- Modbus RTU or CANlink<sup>\*2</sup>
- Automatic torque boost
- Slip compensation
- Easy startup with simplified parameters
- 2-Independent S-ramps
- Flexible programmable I/O's
- Variable DC injection braking
- Comprehensive diagnostics
- Output frequency 500 Hz
- In-built dynamic braking unit

**NEW**

Wide operating voltage  
Single-phase 200 to 240 Vac  
0.4 to 2.2 kW  
Three-phase 380 to 480 Vac  
0.4 to 3.7 kW



**LISTED**  
**E467465**

**IND.CONT.EQ**



**NEW**

Internal EMC filter

Complies with EN61800-3  
Category C2  
2<sup>nd</sup> Environment

**NEW**

PM motor control (special version)<sup>\*3</sup>

Operation in high ambient temperature  
45°C<sub>avg</sub>

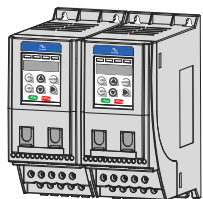
Enhanced reliability  
protection against  
humidity and pollution  
dust

**NEW**

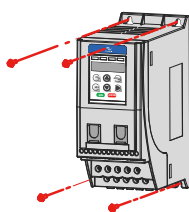
Flexible installation mode



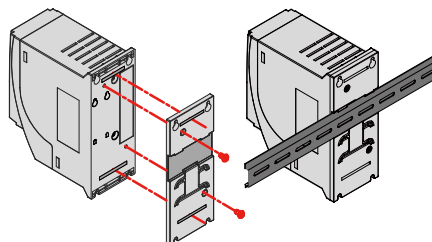
Onboard Comms  
Modbus RTU (optional  
CANlink<sup>\*2</sup>)



Side-by-Side



Wall Mounted

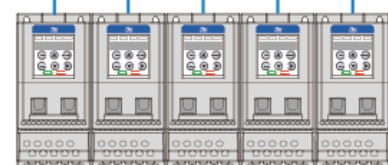


DIN Rail Mounted



CANlink speed sync.

**CANlink**



Notes

\*1 SVC is only available for three phase input models.

\*2 CANlink is Inovance proprietary serial comms.

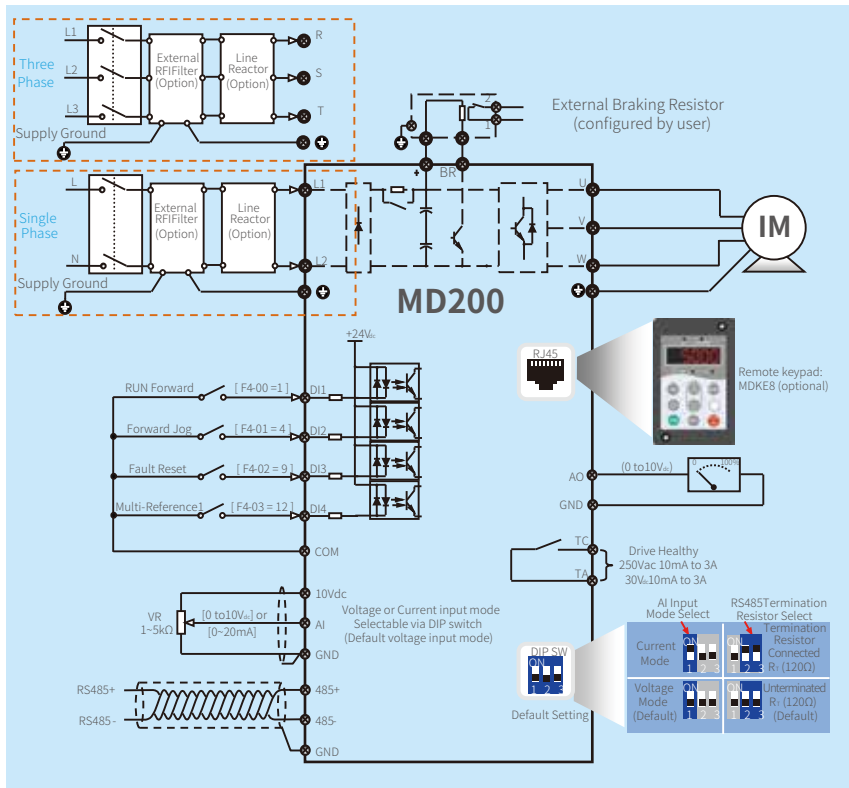
\*3 Consult with Inova Automation.

# General Specifications

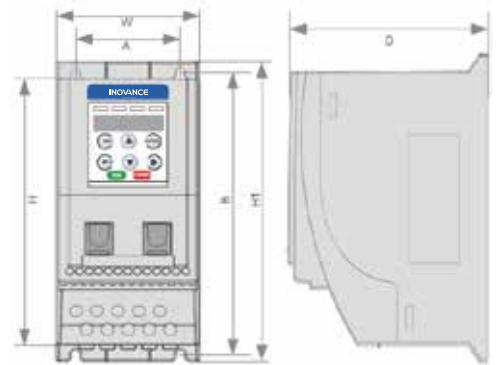
Voltage Class		Single-phase 220 Vac				Three-phase 400 Vac					
Drive Model: MD200xxxxB-INT		S0.4B	S0.75B	S1.5B	S2.2B	T0.4B	T0.75B	T1.5B	T2.2B	T3.7B	
Dimension	Height Width Depth	[H1]: 180 mm [W]: 75 mm [D]: 145 mm				[H1]: 180 mm [W]: 75 mm [D]: 145 mm					
Drive Input	Rated input voltage	Single-phase 200 to 240 Vac, -15% to +10%				Three-phase 380 to 480 Vac, -15% to +10%					
	Rated input current [A]	6.5	11.0	18.0	27.0	2.6	4.5	5.5	6.5	11	
	Power capacity [kVA]	1.7	3.0	4.8	7.1	1	1.5	3.0	4.0	5.9	
	Rated input frequency	50/60 Hz, ±5% (47.5 to 63 Hz)									
Drive Output	Applicable motor	[kW]	0.4	0.75	1.5	2.2	0.4	0.75	1.5	2.2	3.7
		[HP]	0.5	1	2	3	0.5	1	2	3	5
	Output Current [A]*	2.6	4.6	8	11	1.8	3.4	4.8	5.5	9.5	
	Overload Capacity	150% for 60 Sec & 180% for 3 Sec									
	Max. output voltage	200 to 240 Vac (Proportional to input voltage)					380 to 480 Vac (Proportional to input voltage)				
	Max. output frequency	500 Hz									
Braking Resistor	Recommended power [kW]	80	80	100	100	150	150	250	300	400	
	Recommended resistance [Ω]	≥ 200	≥ 150	≥ 100	≥ 70	≥ 300	≥ 300	≥ 220	≥ 200	≥ 130	
Enclosure*5		IP 20									

\*4 Carrier switching frequency 6 kHz at rated output current.  
\*5 All units are fan cooled.

# General Connection Diagram



# Dimension



# Remote Keypad MDKE8 (optional)



**Model:** MDKE8 (LED type)  
**Dimension:** 116Hx76Wx40D(mm)  
**Protection level:** IP20  
**Matching Cable Model:**  
MDCAB 3.0m (included)  
Speed potentiometer (single turn)

For more information, please contact our local offices.



**Hong Kong SAR**  
**Inova Automation Co., Ltd.**  
International Export Office  
Tel.: (852) 2751 6080  
info@inova-automation.com  
www.inova-automation.com

**Germany-Pleidsheim**  
**Inovance Technology Europe GmbH**  
Tel.: (49) 7144 899 0  
info@inova-automation.com

**India**  
**Inova Automation Pvt. Ltd.**  
Head Office Chennai  
Tel.: (91) 95 0008 8025  
Sales Office Ahmedabad  
Tel.: (91) 79 4003 4272  
Delhi, Mumbai, Kolkata,  
Pune, Bengaluru, Coimbatore  
info.inovaindia@inova-automation.com

**Italy-Milano**  
**Inova Automation Italy Srl**  
Tel.: (39) 02 2682 2318  
info@inova-automation.it

**Turkey-Istanbul**  
**Inova Automation Co. Ltd. Turkey**  
Tel.: (90) 216 706 1789  
info.turkey@inova-automation.com

**Iran-Teheran**  
**Inova Automation (Parsian)**  
Tel.: (98) 21 88600501/2  
Info.iran@inova-automation.com

**South Korea-Seoul**  
**Inova Automation Korea**  
Tel.: (82) 10 7428 5732  
info@inova-automation.com